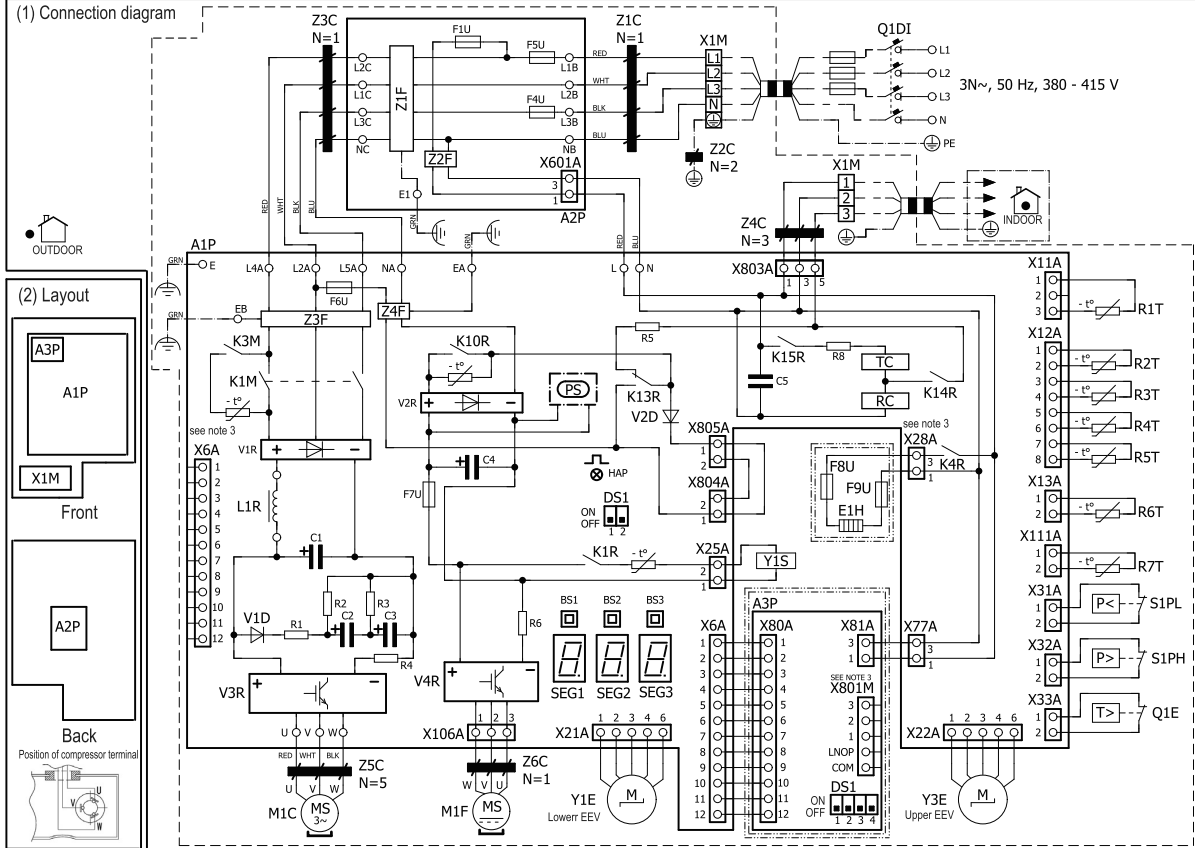


10 Wiring diagrams

10 - 1 Wiring Diagrams - Single Phase

10

RZAG-NY1



(3) NOTES

- : Connection
- X1M : Main terminal
- : Earth wiring
- : Field supply
- : Option
- : switch box
- : PCB
- : Wiring depending on model
- ⊕ : Protective earth
- : Field wire

(4) LEGEND

Part n°	Description
A1P	Printed circuit board (main)
A2P	Printed circuit board (noise filter)
A3P	* Printed circuit board (demand)
BS1~3 (A1P)	Push-button switch
C1~C5 (A1P)	Capacitor
DS1(A1P,A3P)	Dipswitch
E1H	* Bottom plate heater
F1U (A2P)	Fuse T 6,3 A 250 V
F4U, F5U (A2P)	Fuse T 30 A 500 V
F6U (A1P)	Fuse T 6,3 A 250 V
F7U (A1P)	Fuse T 5 A 250 V
F8U, F9U	* Fuse F 1 A 250 V
HAP (A1P)	Light-emitting diode (service monitor is green)
K1M, K3M (A1P)	Magnetic contactor
K1R (A1P)	Magnetic relay (Y1S)
K4R (A1P)	Magnetic relay (E1H)
K10R	Magnetic relay
K13R~K15R (A1P)	Magnetic relay
L1R	Reactor
M1C	Compressor motor
M1F	Fan motor
PS (A1P)	Switching power supply
Q1DI	Earth leakage circuit breaker (30mA)

Part n°	Description
Q1E	Overload protection
R1~R6, R8 (A1P)	Resistor
R1T	Thermistor (air)
R2T	Thermistor (discharge)
R3T	Thermistor (suction)
R4T	Thermistor (heat exchanger)
R5T	Thermistor (heat exchanger middle)
R6T	Thermistor (liquid)
R7T	Thermistor (fin)
RC (A1P)	Signal receiver circuit
S1PH	High pressure switch
S1PL	Low pressure switch
SEG1~SEG3 (A1P)	7-segment display
TC (A1P)	Signal transmission circuit
V1D, V2D (A1P)	Diode
V1R, V2R (A1P)	Diode module
V3R, V4R (A1P)	IGBT power module
X1M	Terminal strip
Y1E, Y3E	Electronic expansion valve
Y1S	Solenoid valve (4-way valve)
Z1C~Z6C	Noise filter (ferrite core)
Z1F~Z4F (A1P~A2P)	Noise filter
L*A, L*B, NA, NB E*, U, V, W, X*A (A1P, A2P)	Connector

* : optional
: field supply

NOTES

- Refer to the wiring diagram sticker (on the back of the front plate) for how to use the BS1~BS3 and DS1 switches.
- When operating, do not short-circuit protection device(s) S1PH, S1PL and Q1E.
- Refer to the combination table and the option manual for how to connect the wiring to X28A and X801M.
- Colours: BLK:black; RED:red; BLU:blue; WHT:white; GRN:green

4D120911