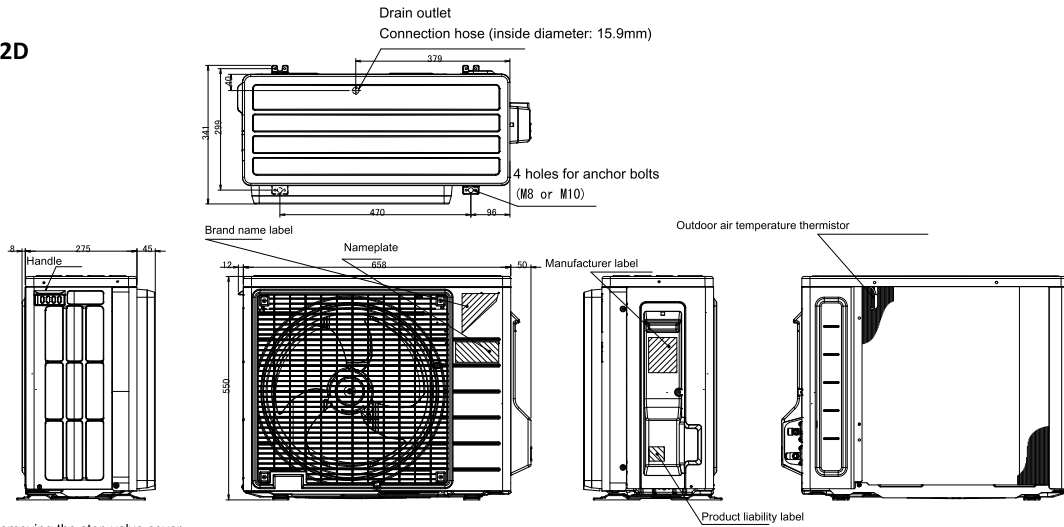


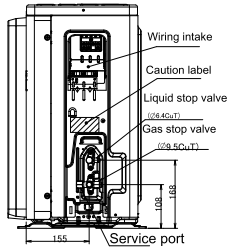
# 5 Dimensional drawings

## 5 - 1 Dimensional Drawings

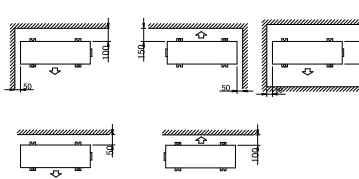
**ARXF-D**  
**RXF20-42D**



In case of removing the stop valve cover.

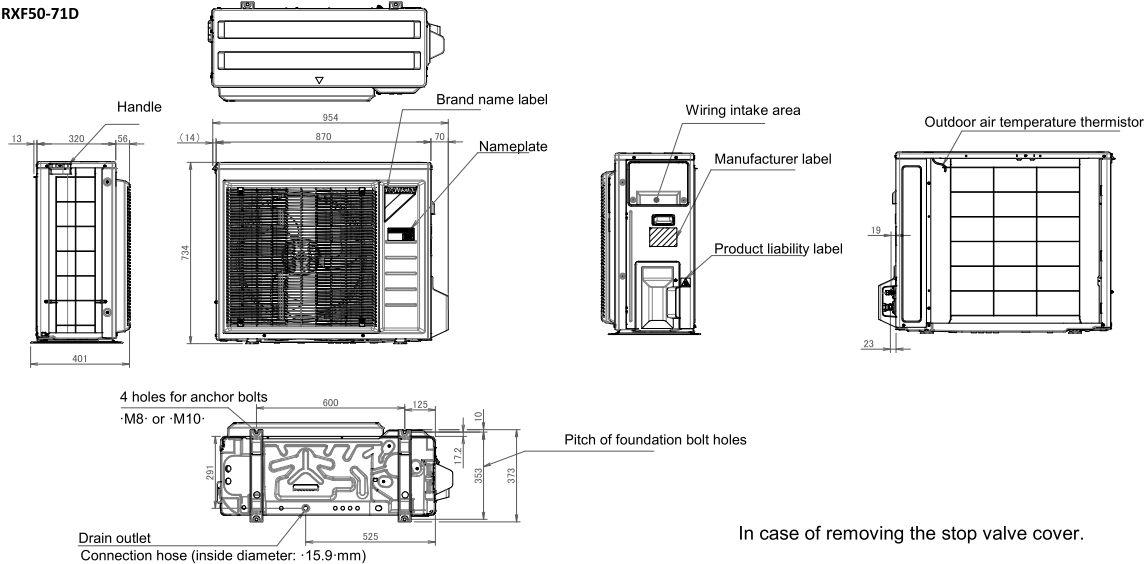


Minimum space for air passage  
Wall height on air outlet side < 1200 mm



**2D113526**

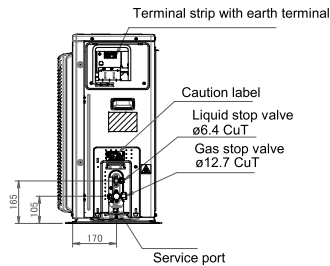
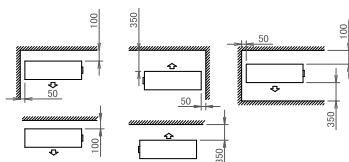
**RXF50-71D**



In case of removing the stop valve cover.

**Minimum space for air passage**

Wall height on air outlet side < 1200 mm



**3D114108B**