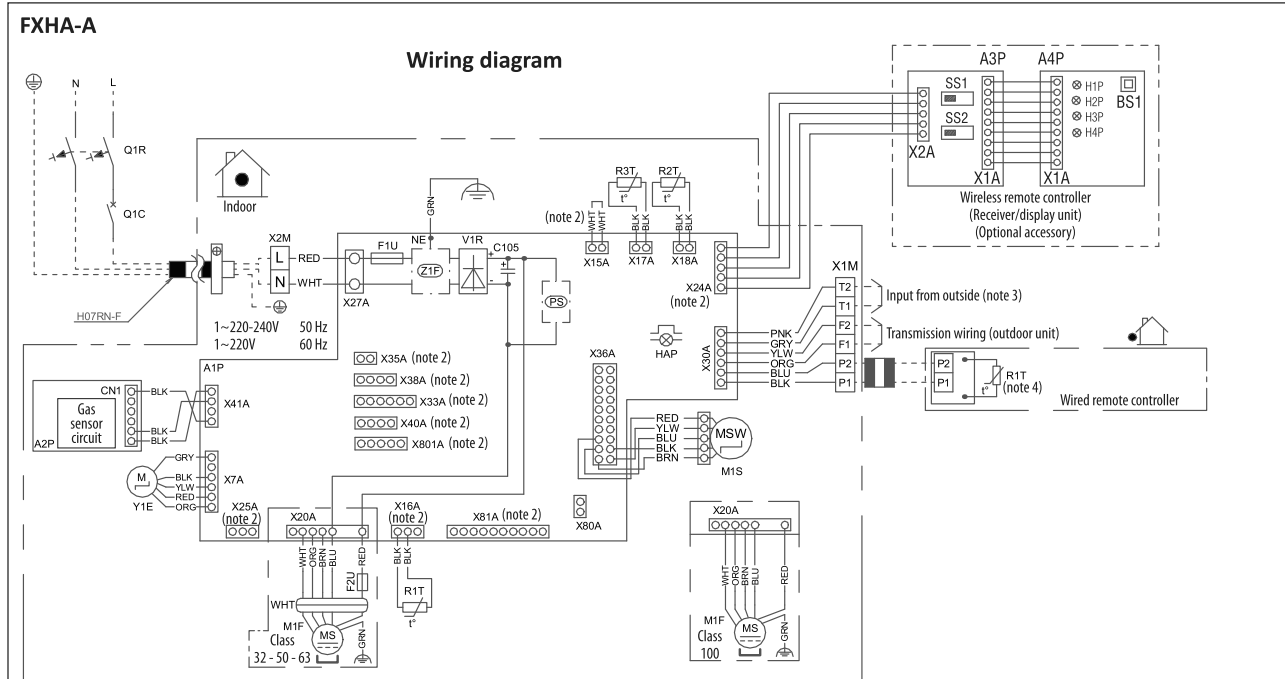


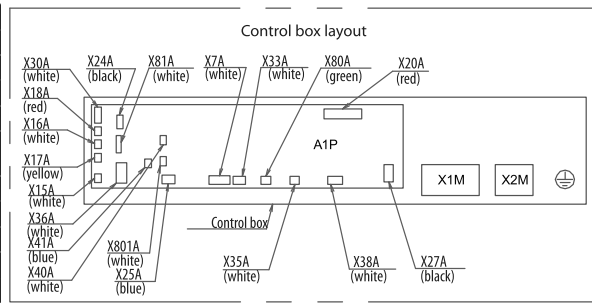
9 Wiring diagrams

9 - 1 Wiring Diagrams - Single Phase

9



Indoor unit	
A1P	Printed circuit board (main)
C105	Capacitor
F1U	Fuse (T, 3.15A, 250V)
F2U	Fuse
HAP	Flashing lamp (Service monitor: green)
M1S	Motor (swing blade)
M1F	Motor (indoor fan)
R1T	Thermistor (air)
R2T, R3T	Thermistor (coil)
S1L	Float switch (drain pump)
V1R	Diode bridge
X7A-X801A	Connector
X1M	Terminal block (Remote controller)
X2M	Terminal block (Power supply)
Z1F	Noise filter
PS	Switching power supply
Y1E	Electronic expansion valve
Q1R	Residual current device
Q1C	Circuit breaker
NE	Noiseless earth
CN1	Gas sensor connector
A2P	Printed circuit board (gas sensor)
Wired remote controller	
R1T	Thermistor (air)
Wireless remote controller	
A3P	Printed circuit board
A4P	Printed circuit board
BS1	Push button switch (on/off)
H1P	Pilot lamp (on-red)
H2P	Pilot lamp (timer green)
H3P	Pilot lamp (filter sign-red)
H4P	Pilot lamp (defrost - orange)
SS1	Selector switch (main/sub)
SS2	Selector switch (Wireless address set)



- NOTES**
1. [Symbol]: terminal block, [Symbol]: connector, [Symbol]: field wiring, [Symbol]: short circuit connector
 2. X15A, X16A, X24A, X25A, X33A, X35A, X38A, X40A, X81A, X801A are (re) connected when optional accessories are being used, see wiring diagram of this accessory.
 3. Can be used for fire alarm input only. See installation manual for more information.
 4. In case of main/sub changeover, see the installation manual attached to remote controller.

- WIRE COLORS**
- BLK : Black
 - BLU : Blue
 - YLW : Yellow
 - BRN : Brown
 - ORG : Orange
 - RED : Red
 - WHT : White
 - GRN : Green
 - PNK : Pink
 - GRY : Grey

3D137545