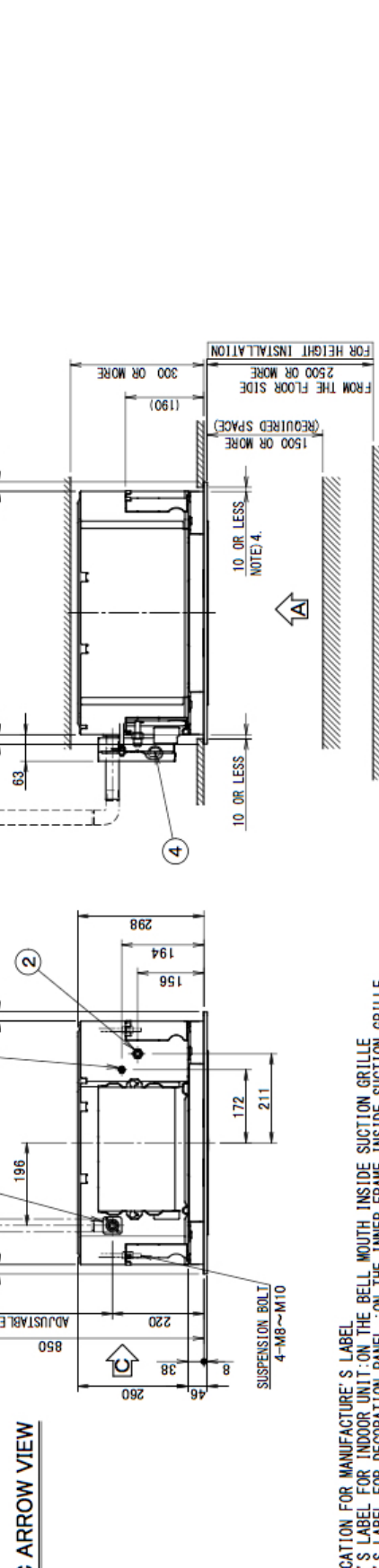
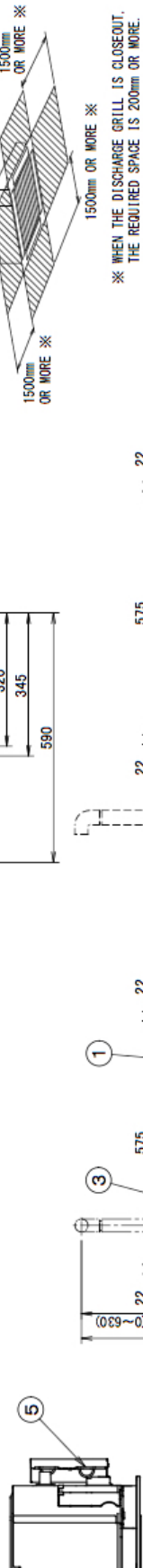
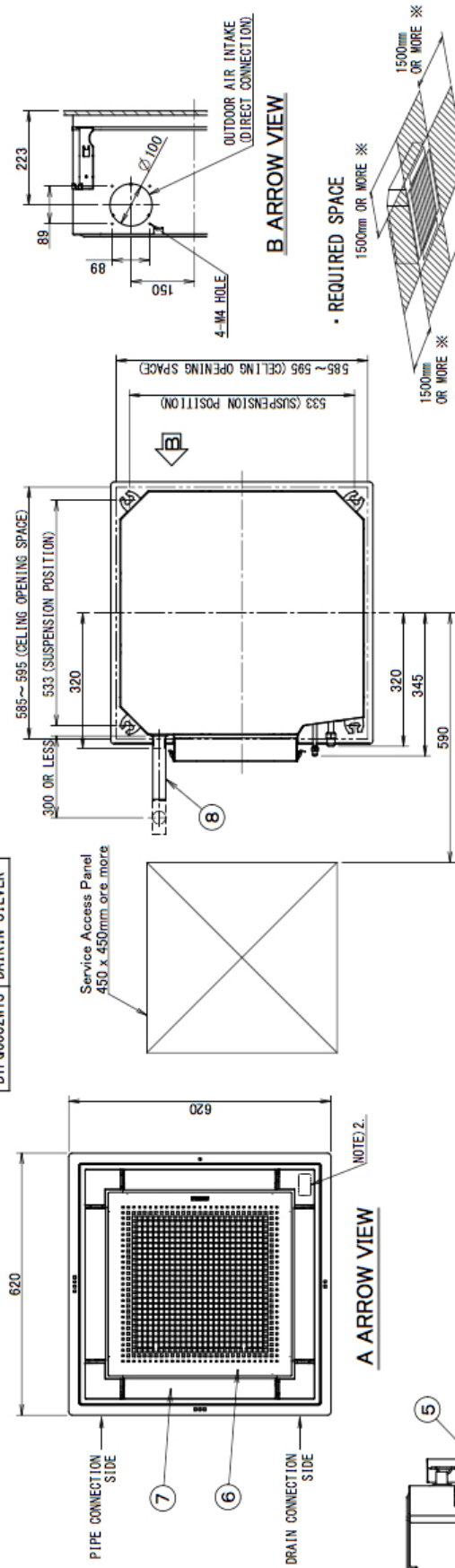


• DECORATION PANEL

BYF060C2W1W | FRESH WHITE NO.5
BYF060C2W1S | DAIKIN SILVER



NOTE) 1. STICKING LOCATION FOR MANUFACTURE'S LABEL
MANUFACTURE'S LABEL FOR INDOOR UNIT ON THE BELL MOUTH INSIDE SUCTION GRILLE
MANUFACTURE'S LABEL FOR DECORATION PANEL ON THE INNER FRAME INSIDE SUCTION GRILLE
2. IN CASE OF USING WIRELESS REMOTE CONTROLLER, THIS POSITION WILL BE A SIGNAL RECEIVER.
REFER TO THE DRAWING OF WIRELESS REMOTE CONTROLLER IN DETAIL.
3. WHEN THE TEMPERATURE AND HUMIDITY IN THE CEILING EXCEED 30°C AND RH 80% OR THE FRESH AIR IS INDUCED INTO THE CEILING OR THE UNIT CONTINUES 24 HOUR OPERATION, AN ADDITIONAL INSULATION (THICKNESS 10mm OR MORE OF GLASSWOOL OR POLYETHYLENE FOAM) IS REQUIRED.
4. THOUGH THE INSTALLATION IS ACCEPTABLE UP TO MAXIMUM OF 595mm SQUARE CEILING OPENING, KEEP THE CLEARANCE OF 10mm OR LESS BETWEEN THE MAIN UNIT AND THE CEILING OPENING SO THAT THE PANEL OVERLAP ALLOWANCE CAN BE ENSURED.

ITEM	PART NAME	REMARK	ITEM	PART NAME	REMARK
1	LIQUID PIPE CONNECTION	φ 6.4 (FRAME CONNECTION)	5	REMOTE CONTROL CODE AND CONTROL WIRING CONNECTION	
2	GAS PIPE CONNECTION	φ 9.5 (FRAME CONNECTION)	6	AIR DISCHARGE GRILL	
3	DRAIN PIPE CONNECTION	VP20 (O. D. φ 25)	7	SUCTION GRILL	
4	POWER SUPPLY CONNECTION		8	DRAIN HOSE (ACCESSORY) [I. D. φ 25 (OUTLET)]	

3D082433