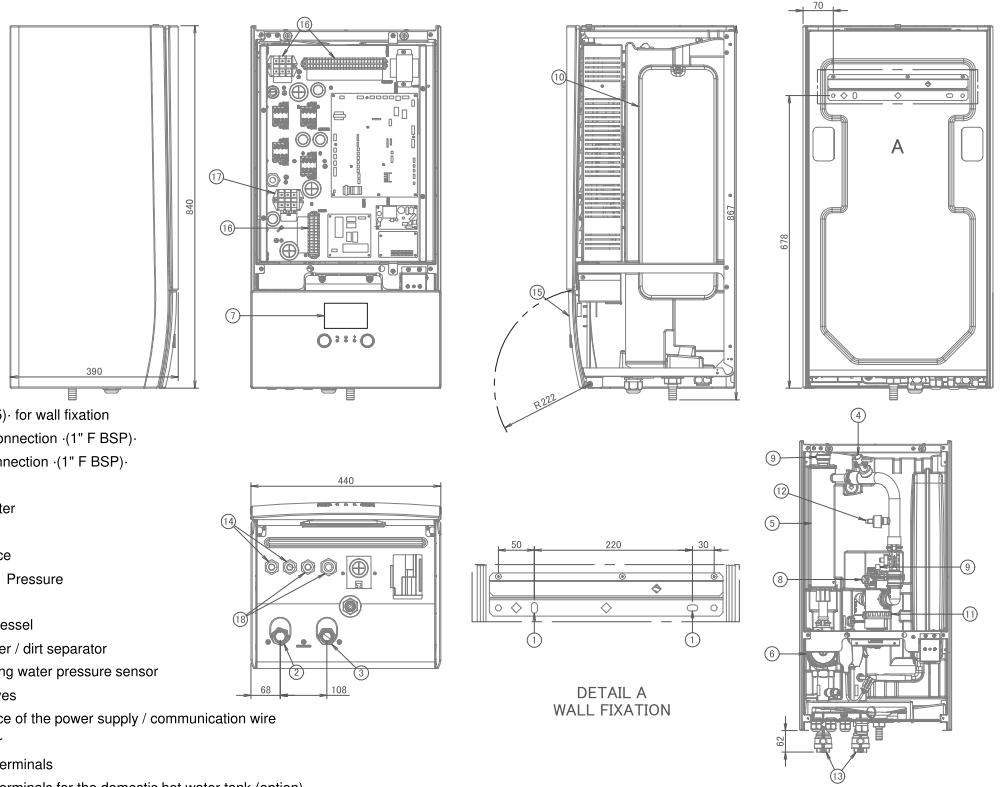


5 Dimensional drawings

5 - 1 Dimensional Drawings

5

ETBH-D6V
ETBH-D9W
ETBX-D6V
ETBX-D9W



- ① Holes -(Ø8.5)- for wall fixation
- ② Water out connection -(1" F BSP)-
- ③ Water in connection -(1" F BSP)-
- ④ Flow switch
- ⑤ Backup heater
- ⑥ Pump
- ⑦ User interface
- ⑧ Safety valve Pressure
- ⑨ Air purge
- ⑩ Expansion vessel
- ⑪ Magnetic filter / dirt separator
- ⑫ Space heating water pressure sensor
- ⑬ Shut-off valves
- ⑭ Wire entrance of the power supply / communication wire
- ⑮ Service door
- ⑯ Switch box terminals
- ⑰ Switch box terminals for the domestic hot water tank (option)
- ⑱ Options

3D121022A