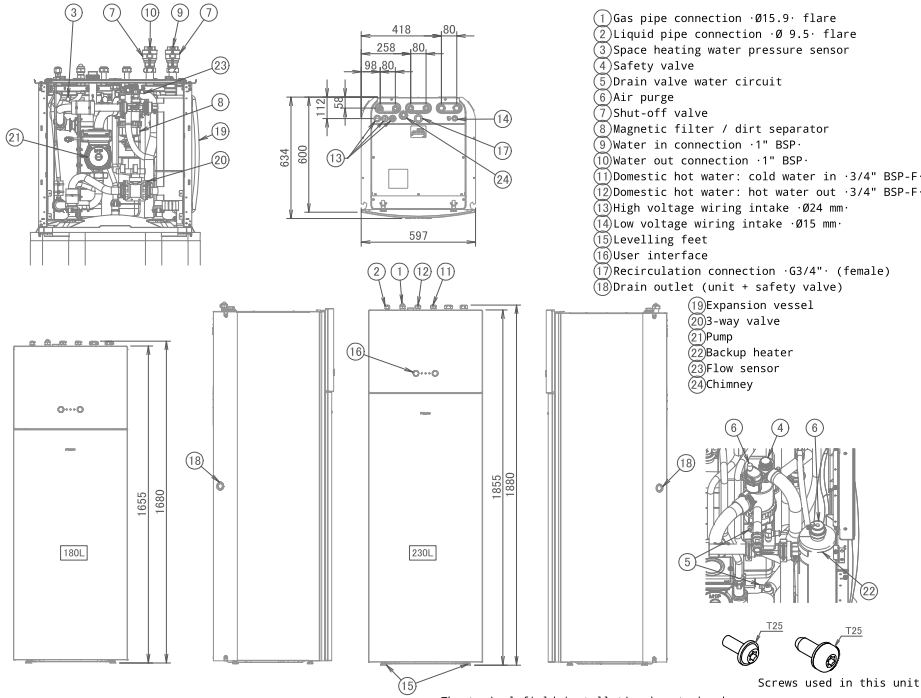


# 6 Dimensional drawings

## 6 - 1 Dimensional Drawings

6

EBVH-D6V  
EBVH-D9V  
EBVX-D6V  
EBVX-D9V



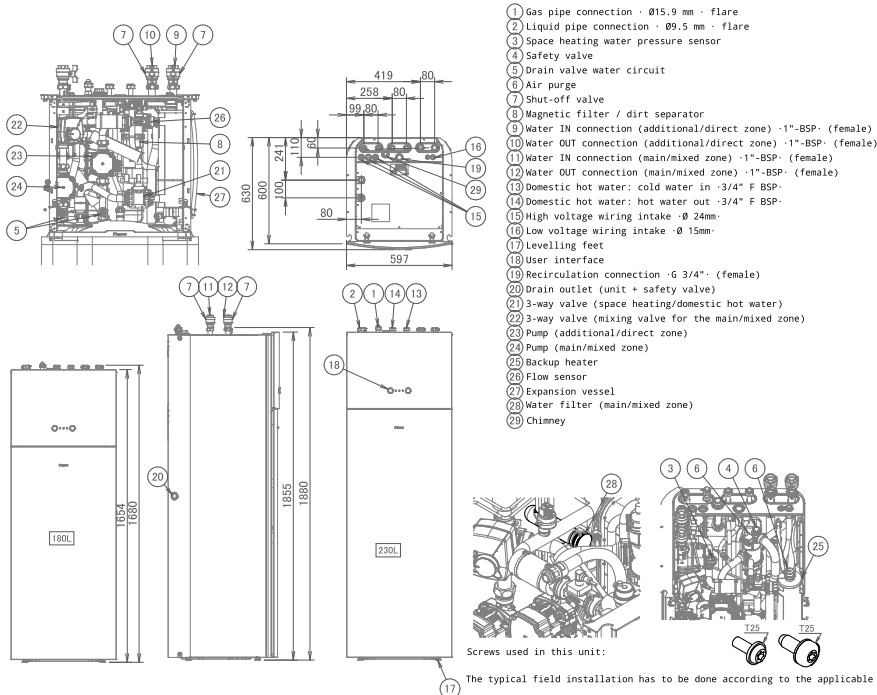
- ① Gas pipe connection ·Ø15.9· flare
- ② Liquid pipe connection ·Ø 9.5· flare
- ③ Space heating water pressure sensor
- ④ Safety valve
- ⑤ Drain valve water circuit
- ⑥ Air purge
- ⑦ Shut-off valve
- ⑧ Magnetic filter / dirt separator
- ⑨ Water in connection ·1" BSP·
- ⑩ Water out connection ·1" BSP·
- ⑪ Domestic hot water: cold water in ·3/4" BSP-F·
- ⑫ Domestic hot water: hot water out ·3/4" BSP-F·
- ⑬ High voltage wiring intake ·Ø24 mm·
- ⑭ Low voltage wiring intake ·Ø15 mm·
- ⑮ Levelling feet
- ⑯ User interface
- ⑰ Recirculation connection ·G3/4"· (female)
- ⑱ Drain outlet (unit + safety valve)
- ⑲ Expansion vessel
- ⑳ 3-way valve
- ㉑ Pump
- ㉒ Backup heater
- ㉓ Flow sensor
- ㉔ Chimney

The typical field installation has to be done according to the applicable legislation. For examples, refer to the installer reference guide.

3D136427A

EBVZ-D6V  
EBVZ-D9V

The main zone is the temperature zone with the lowest temperature.  
The additional zone is the temperature zone with the highest temperature.



- ① Gas pipe connection · Ø15.9 mm · flare
- ② Liquid pipe connection · Ø9.5 mm · flare
- ③ Space heating water pressure sensor
- ④ Safety valve
- ⑤ Drain valve water circuit
- ⑥ Air purge
- ⑦ Shut-off valve
- ⑧ Magnetic filter / dirt separator
- ⑨ Water IN connection (additional/direct zone) ·1"·BSP· (female)
- ⑩ Water OUT connection (additional/direct zone) ·1"·BSP· (female)
- ⑪ Water IN connection (main/mixed zone) ·1"·BSP· (female)
- ⑫ Water OUT connection (main/mixed zone) ·1"·BSP· (female)
- ⑬ Domestic hot water: cold water in ·3/4" F BSP·
- ⑭ Domestic hot water: hot water out ·3/4" F BSP·
- ⑮ High voltage wiring intake ·Ø 24mm·
- ⑯ Low voltage wiring intake ·Ø 15mm·
- ⑰ Levelling feet
- ⑱ User interface
- ⑲ Recirculation connection ·G 3/4"· (female)
- ⑳ Drain outlet (unit + safety valve)
- ㉑ 3-way valve (space heating/domestic hot water)
- ㉒ 3-way valve (mixing valve for the main/mixed zone)
- ㉓ Pump (additional/direct zone)
- ㉔ Pump (main/mixed zone)
- ㉕ Backup heater
- ㉖ Flow sensor
- ㉗ Expansion vessel
- ㉘ Water filter (main/mixed zone)
- ㉙ Chimney

The typical field installation has to be done according to the applicable legislation. For examples, refer to the installer reference guide.

3D136429A