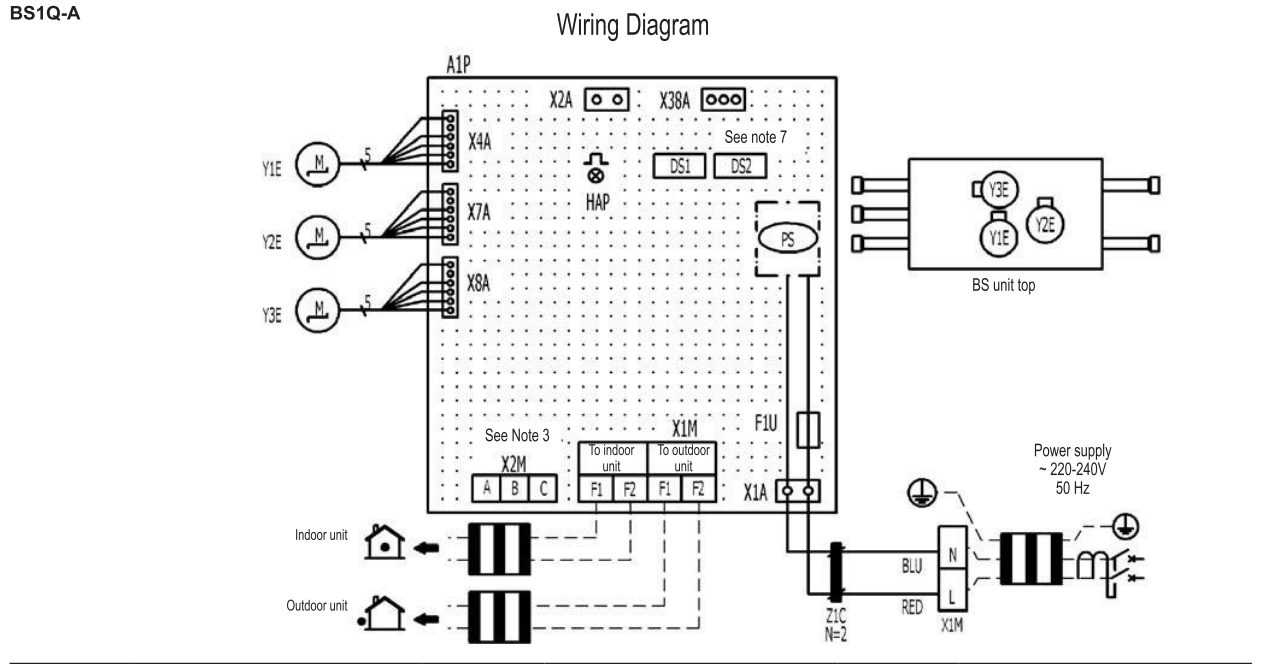


# 8 Wiring diagrams

## 8 - 1 Wiring Diagrams - Single Phase



A1P	Printed circuit board	X1M	Terminal strip (power)	Y3E	Electric expansion valve (main suction)
DS1,DS2	DIP switch	X1M(A1P)	Terminal strip (control)	Z1C	Noise filter (ferrite core)
F1U	Fuse (T; 3.15A, 250V)	X2M	Terminal strip (C/H selector)		Connector for optional parts
HAP	Flashing lamp (service monitor-green)	Y1E	Electric expansion valve (sub cool)	X2A	Connector (wiring external control adapter for outdoor unit)
PS	Switching power supply	Y2E	Electric expansion valve (main discharge)	X38A	Connector (adapter for multi tenant)

### NOTES

- This wiring diagram applies to the BS unit only
- : Terminal strip, □□ : Connector, ○— : Terminal, —□□□ : Field wiring, ⊕ : Protective earth
- When using the cool/heat selector (optional accessory), connect it to terminals A, B and C on X2M.
- As for wiring to the indoor unit (F1) (F2) and outdoor unit (F1) (F2)
- Symbols shows as follows: (BLU: Blue, RED: Red)
- Use copper conductors only.
- DIP Switch (DS1, DS2) initial settings are as follows:



For using DIP Switch (DS1, DS2), refer to installation manual or "service precaution" label on EL. Compo. box cover.